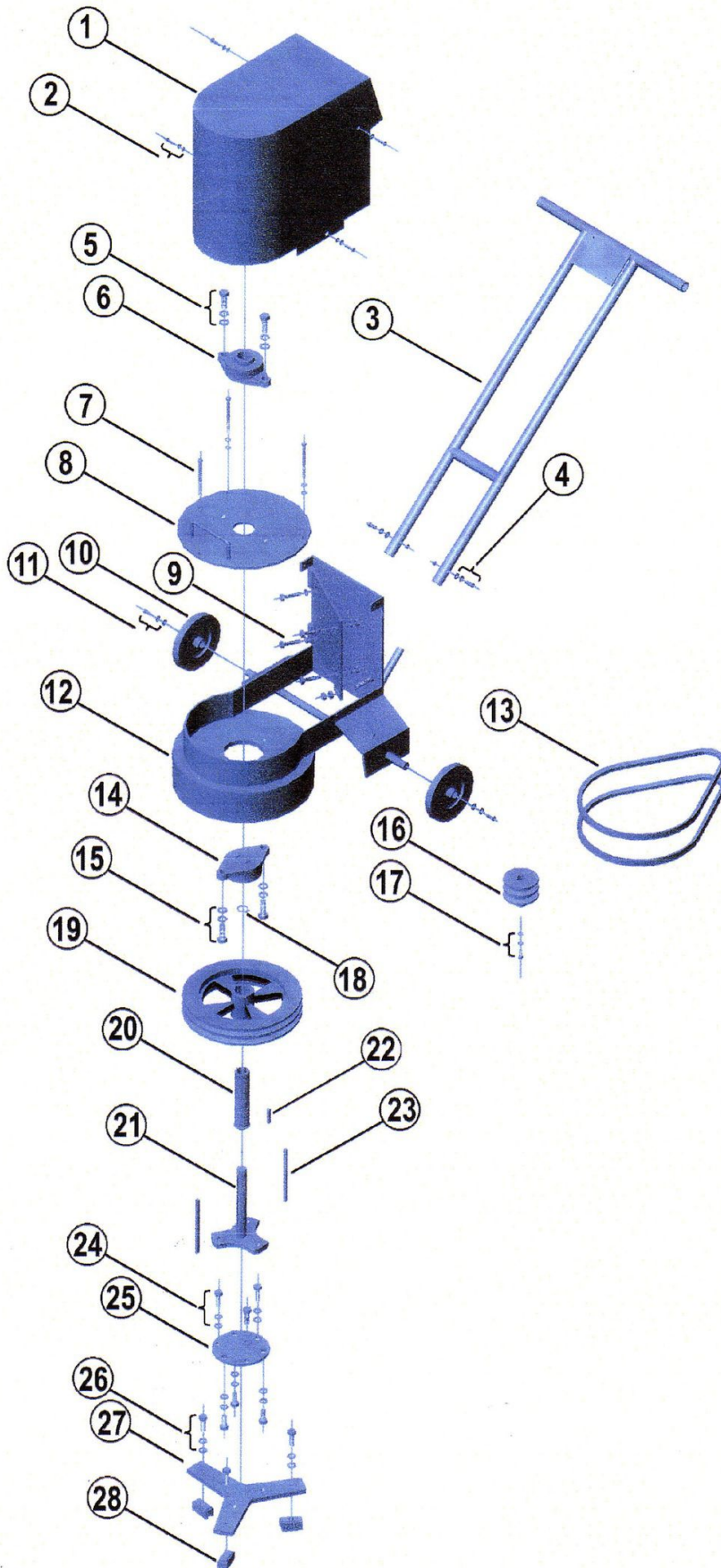


TKCG - 14 CONCRETE GRINDER EXPLODED DRAWING



REF. NO	DESCRIPTION
1	BODY COVER
2	HEX. BOLT (Z) M6 x 25
	PLAIN WASHER (Z) M6
	SPRING WASHER (Z) M6
3	HANDLE
	HANDLE GRIP
4	HEX. BOLT (Z) M8 x 35
	PLAIN WASHER (Z) M8
	SPRING WASHER (Z) M8
	HEX. NUT (Z) M8
5	HEX. BOLT (Z) M14 x 40
	PLAIN WASHER (Z) M14
	SPRING WASHER (Z) M14
6	PILLOW BLOCK (UPFL 208-14)
7	HEX. BOLT (Z) M8 x 100
	PLAIN WASHER (Z) M8
	SPRING WASHER (Z) M8
8	PILLOW BLOCK SUPPORT
9	HEX. BOLT (Z) M10 x 45
	PLAIN WASHER (Z) M10
	SPRING WASHER (Z) M10
	HEX. NUT (Z) M10
10	WHEEL (6")
11	HEX. BOLT (Z) M8 x 20
	PLAIN WASHER (Z) M8
	SPRING WASHER (Z) M8
12	BODY
13	BELT (B40)
14	PILLOW BLOCK (UPFL 208-14)
15	HEX. BOLT (Z) M14 x 40
	PLAIN WASHER (Z) M14
	SPRING WASHER (Z) M14
16	ENGINE PULLEY (B2 - 3 1/2")
17	HEX. BOLT (Z) M10 x 35
	PLAIN WASHER (Z) M10
	SPRING WASHER (Z) M10
18	CIRCLIP (A25)
19	PULLEY (B2 - 10")
20	PULLEY SHAFT
21	SPINDLE SHAFT
22	KEY
23	KEY
24	HEX. BOLT (Z) M12 x 35
	PLAIN WASHER (Z) M12
	SPRING WASHER (Z) M12
25	SPINDLE PLATE
26	HEX. BOLT (Z) M12 x 25
	PLAIN WASHER (Z) M12
	SPRING WASHER (Z) M12
27	BLADE SUPPORT
28	BLADE