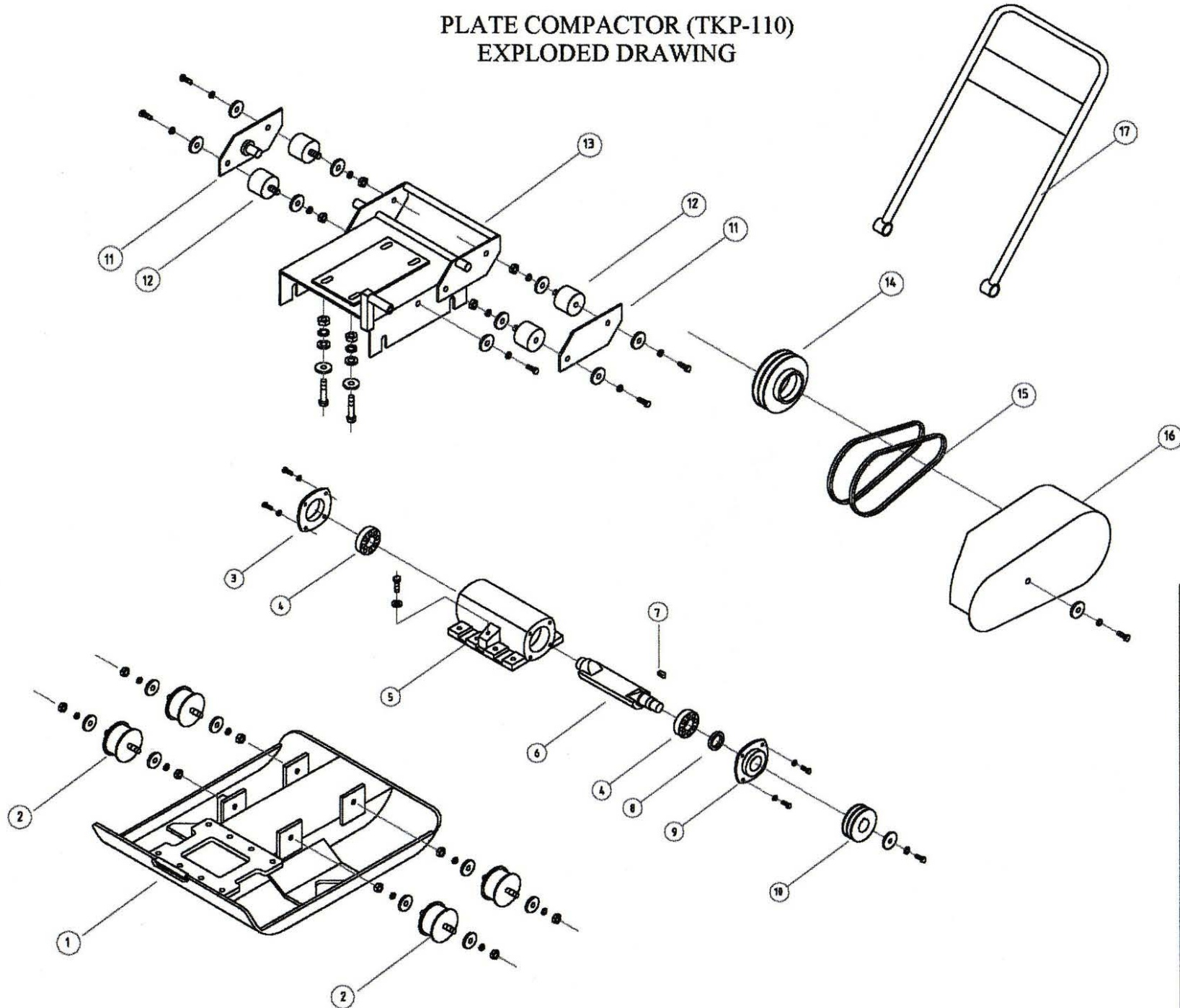


PLATE COMPACTOR (TKP-110)
EXPLODED DRAWING



17	HANDLE	
16	BELT COVER	
15	V-BELT	A36
14	CLUTCH PULLEY	
13	ENGINE MTG.	
12	RUBBER MTG.	
11	HANDLE SUPPORT PLATE	
10	ROTOR PULLEY	
9	SIDE COVER	
8	OIL SEAL	30x45x8
7	KEY	10x8x17
6	ROTOR SHAFT	
5	ROTOR HOUSING	
4	BEARING	NJ 307 C3
3	SIDE COVER	
2	RUBBER MTG.	
1	BASE	
REF. NO	DESCRIPTION:	SIZE: