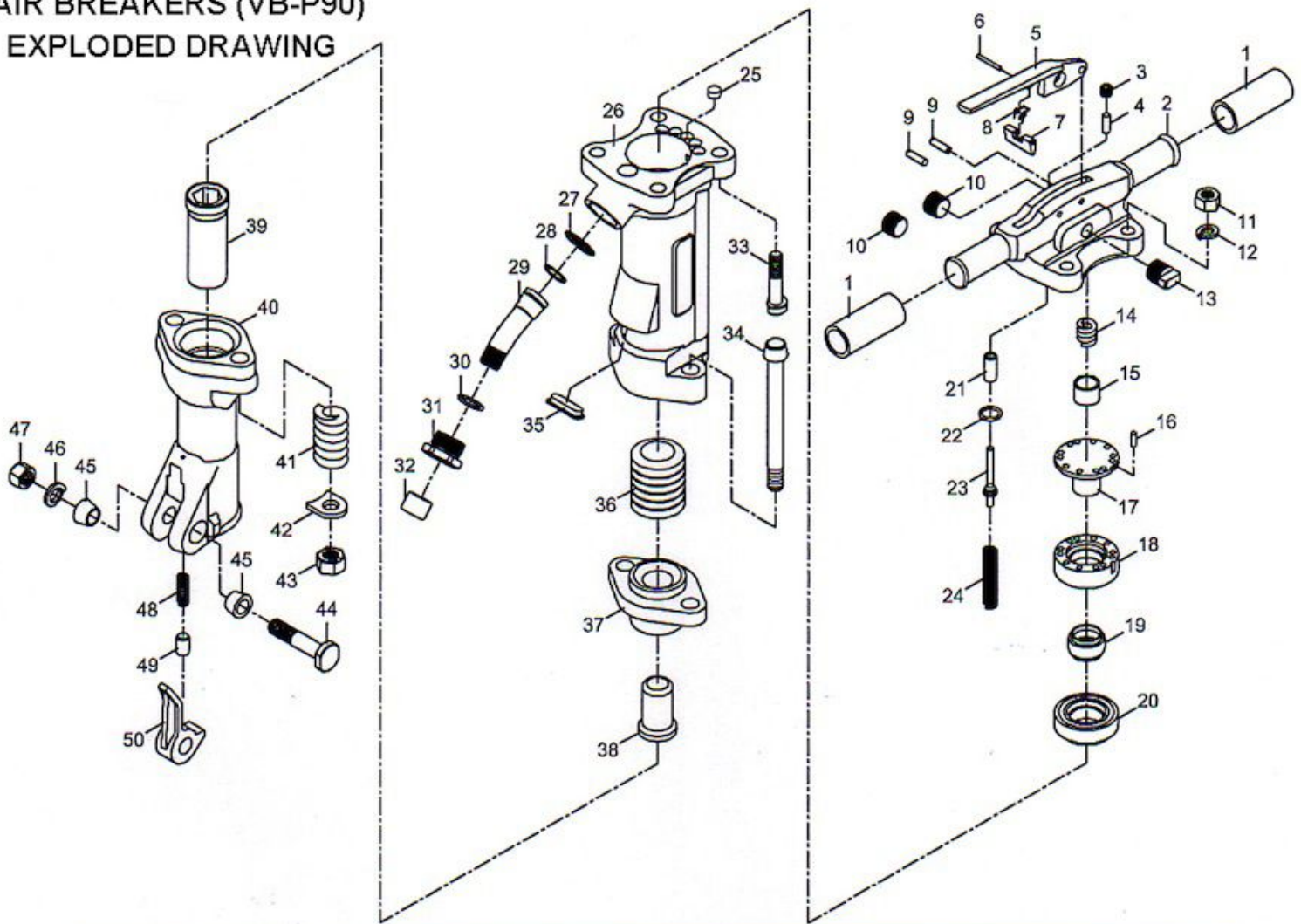


AIR BREAKERS (VB-P90) EXPLODED DRAWING



Index No.	Parts No.	Description	Index No.	Parts No.	Description
1	P91213	Rubber Grip (2)	26	P91201	Cylinder
2	P91211	Back Head	27	P91238	Air Inlet Screen
3	P91220	Oil Control Plug (PT1/8")	28	P91222	Air Inlet Swivel O-Ring (Ø28.5*Ø2)
4	P91245	Felt Oiler (Ø8.5*25L)	29	P91235	Air Inlet Swivel
5	P91217	Throttle Lever	30	P91237	O-Ring (Ø29.4*Ø3.1)
6	P91250	Spring Pin (Ø4*40L)	31	P91236	Air Inlet Swivel Nut
7	P91251	Stop Lever	32	P91246	Rubber Grip
8	P91252	Stop Lever Spring	33	P91223	Back Head Bolt (4)
9	P91218	Throttle Lever Pin (2) (Ø8*30L)	34	P91239	Front Head Bolt (2)
10	P91248	Oil Tank Plug (2) (PT1/2")	35	P91244	Rubber Plug
11	P91225	Back Head Bolt Nut (4)	36	P91203	Piston Hammer
12	P91224	Lock Washer (4) (5/8")	37	P91226	Tappet Seat
13	P91219	Oil Plug	38	P91227	Tappet
14	P91210	Plunger Spring	39	P91243	Front Head Bushing
15	P91209	Plunger	40	P91221	Front Head
16	P91208	Valve Chest Dowel Pin (Ø1/4**20L)	41	P91242	Front Head Bolt Spring (2)
17	P91207	Valve Guide	42	P91241	Front Head Bolt Lock Washer (2)
18	P91205	Valve Chest	43	P91240	Front Head Bolt Nut (2)
19	P91204	Automatic Valve	44	P91229	Steel Retainer Bolt
20	P91206	Valve Seat	45	P91232	Steel Retainer Bolt Bushing (2)
21	P91215	Throttle Valve Stem Guide	46	P91231	Lock Washer (3/4")
22	P91212	O-Ring (Ø21.7*Ø3.5)	47	P91230	Steel Retainer Bolt Nut (3/4"-16UNF)
23	P91214	Throttle Valve	48	P91234	Steel Retainer Spring
24	P91216	Throttle Valve Spring	49	P91233	Steel Retainer Plunger
25	P91202	Cylinder Plug (5)	50	P91228	Steel Retainer

P912-0001