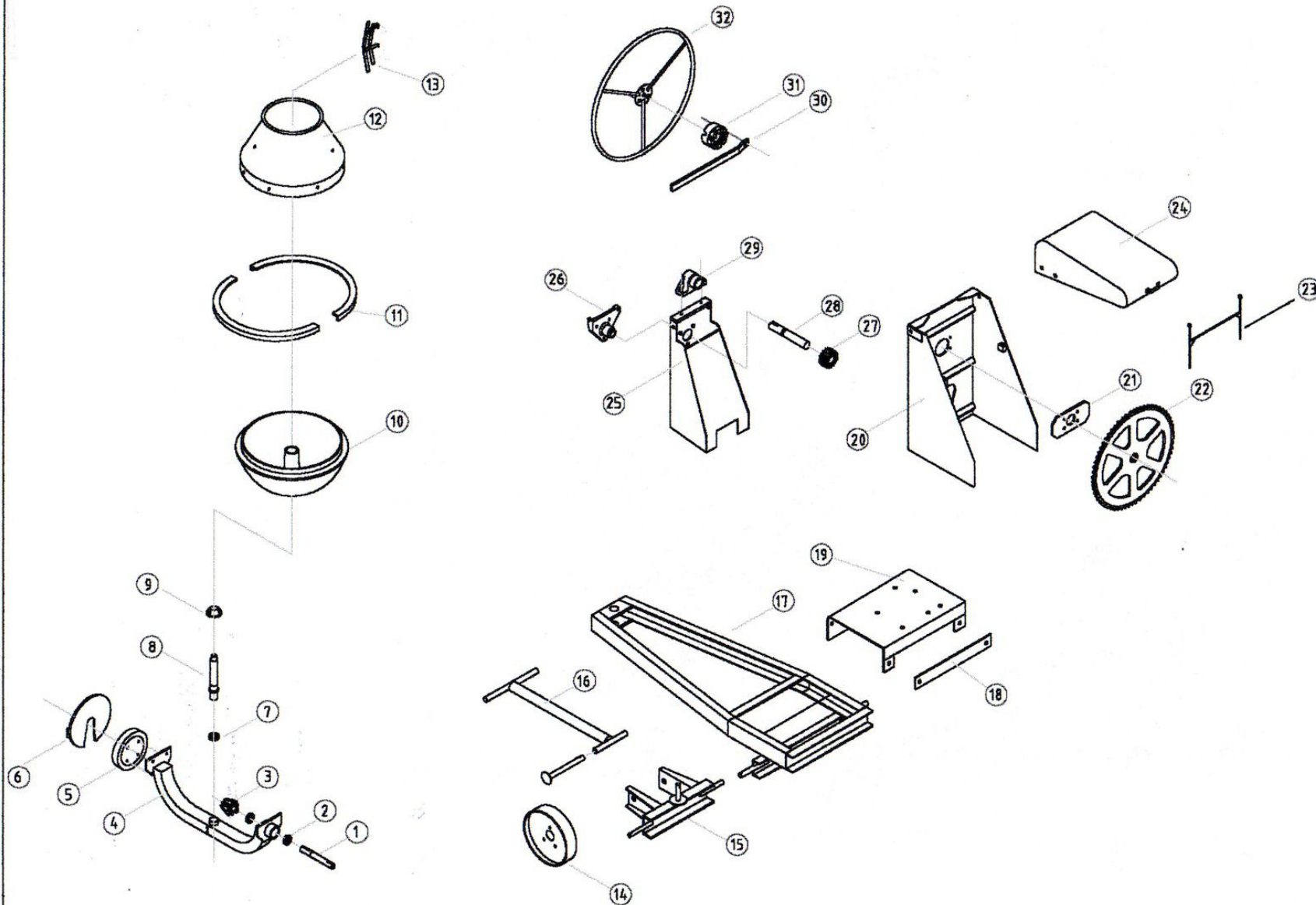


CONCRETE MIXER (TK-7TM)
EXPLODED DRAWING



REF.NO	DESCRIPTION
1	GEAR SHAFT
2	BEARING
3	BEVEL GEAR
4	U-FRAME
5	GEAR WHEEL
6	GEAR WHEEL COVER
7	BEARING
8	MAIN SHAFT
9	BEARING COVER
10	DRUM
11	DRUM GEAR COVER
12	CONE
13	MIXING BLADE
14	WHEEL
15	FRONT WHEEL FRAME
16	HANDLE
17	FRAME
18	ENG.MTG.COVER
19	ENG.MTG.
20	FIXED END SUPPORT FRAME
21	FIXED END SUPPORT
22	DRIVE WHEEL
23	ENGINE COVER STOPPER
24	ENGINE COVER
25	U-END SUPPORT FRAME
26	STREEING HOLDER
27	SMALL GEAR
28	STEERING SHAFT
29	U-END SUPPORT
30	STREEING STOPPER
31	STREEING HOLDER
32	STREEING