



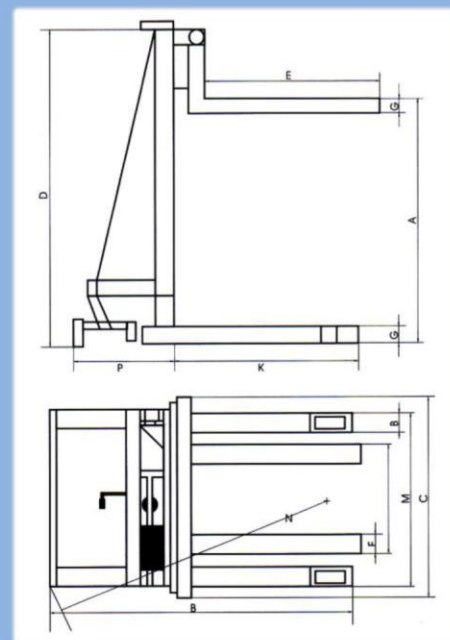
Efficient & Effective

HAND HYDRAULIC STACKER

Our product makes moving, lifting, loading, and unloading simpler and quicker. It can be used in smaller spaces.

Features:

- Equipped with a constant velocity controlling value, variations of loads do not affect, forks lowering speed.
- Top quality hydraulic pump and cylinder.
- Compact design and strong steel construction.



Model	SA-ST1.0	SA-ST2.0
Rate Lifting Capacity (kg)	1000	2000
Max. Lifting Height (A) (mm)	1600	1600
Of Height Forks Lowered (G) (mm)	85	100
Fork Length (E)(mm)	800	900
Adjustable Width Of The Jack (J) (mm)	300-710	300-740
Lifting Speed (mm per stroke)	20	14
Lowering Speed	Controllable	Controllable
Operations Power Of Hand Crank (kg)	24	32
Outer Width Of Front Leg (mm)	630	696
MiN. Refuel Volume For Fuel Tank (L)	1.5	2
Weight (kg)	175	270
Overall Dimensions (B × C × D) (mm)	1364 × 740 × 1988	1485 × 770 × 2043