

GENERAL PURPOSE ENGINES

SA168F



Efficient & Effective

GASOLINE ENGINE



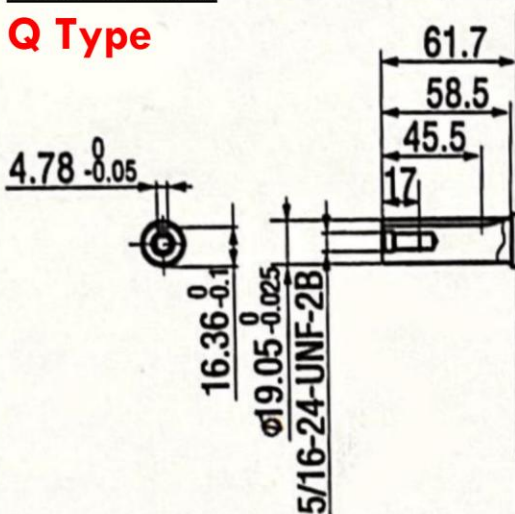
Home-use engines that power mini-tillers, self-propelled lawn mowers, and various other products achieve both high environmental performance and ease to use.

Features:

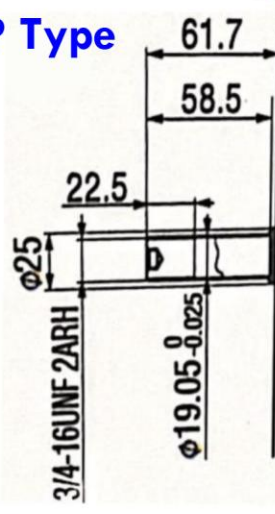
- High-quality power output.
- Compact in structure and convenient for carrying.
- Easy starting by both recoil starting.
- Special balance shaft inside reduces vibration to the minimum level.

PTO Shaft:

Q Type



P Type



Model	SA168F
Engine (HP)	5.5
Bore x Stroke (mm)	68 x 45
Displacement (cc)	163
Power Output (kW)	3.5
Fuel Tank (L)	3.6
Weight (kg)	15
MEA (mm)	390 x 330 x 350

SAKURA

QUALITY

Designs and specifications are subject to change for improvement without prior notice.

2020 - Rev. 1 (AUG 2022)