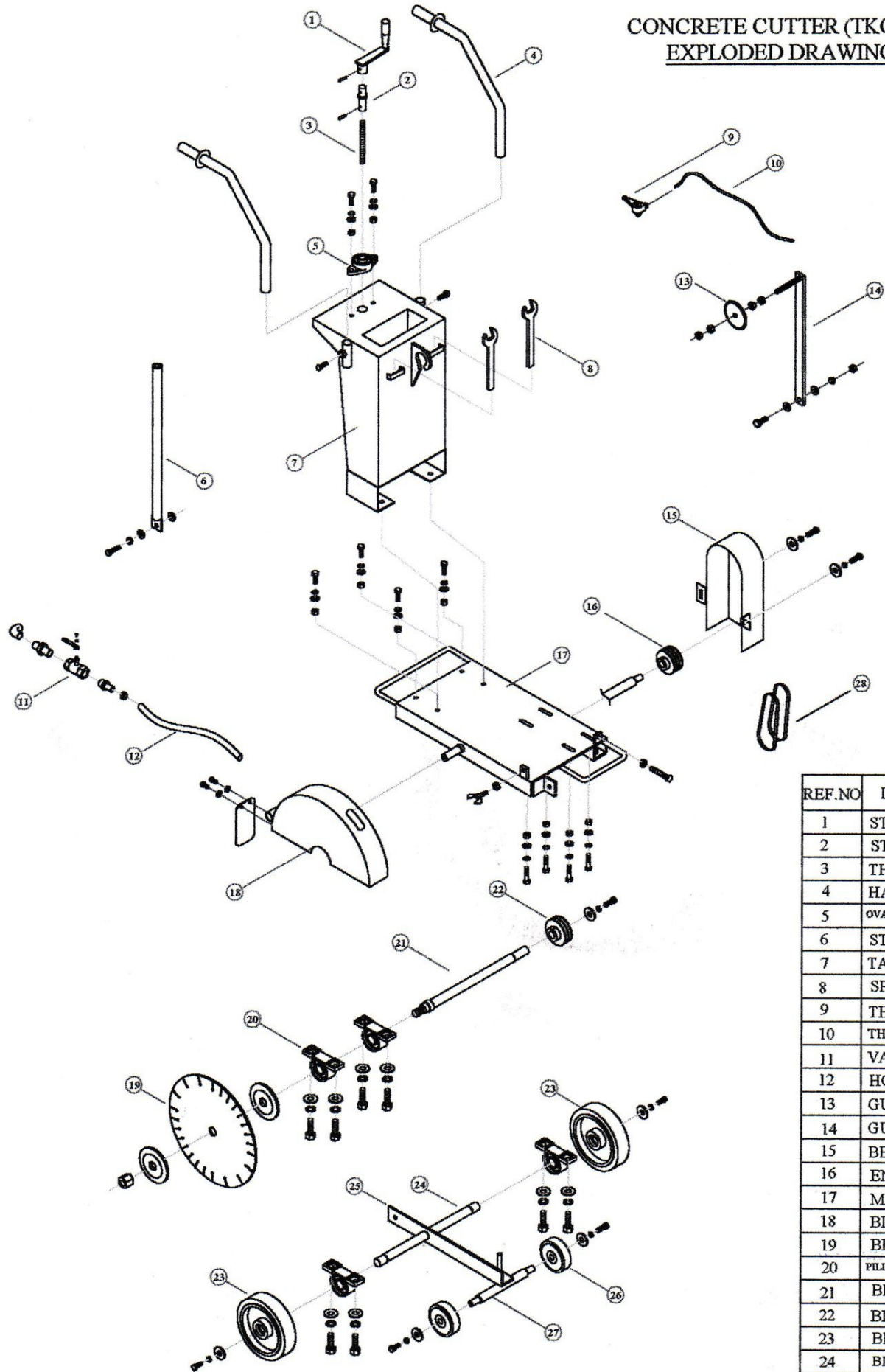


CONCRETE CUTTER (TKC-300)
EXPLODED DRAWING



REF. NO	DESCRIPTION
1	STEERING WHEEL
2	STUD
3	THREAD
4	HANDLE
5	OVAL FLANGED BEARING
6	STREEING PIPE
7	TANK
8	SPANNER
9	THROTTLE
10	THROTTLE CABLE
11	VALVE
12	HOSE
13	GUIDE ROLLER
14	GUIDE ARM
15	BELT COVER
16	ENGINE PULLEY
17	MACHINE BASE
18	BLADE COVER
19	BLADE
20	PILLOW BLOCK BEARING
21	BLADE SHAFT
22	BLADE PULLEY
23	BIG WHEEL
24	BIG WHEEL SHAFT
25	CHANNEL
26	SMALL WHEEL
27	SMALL WHEEL SHAFT
28	V-BELT (A 25)