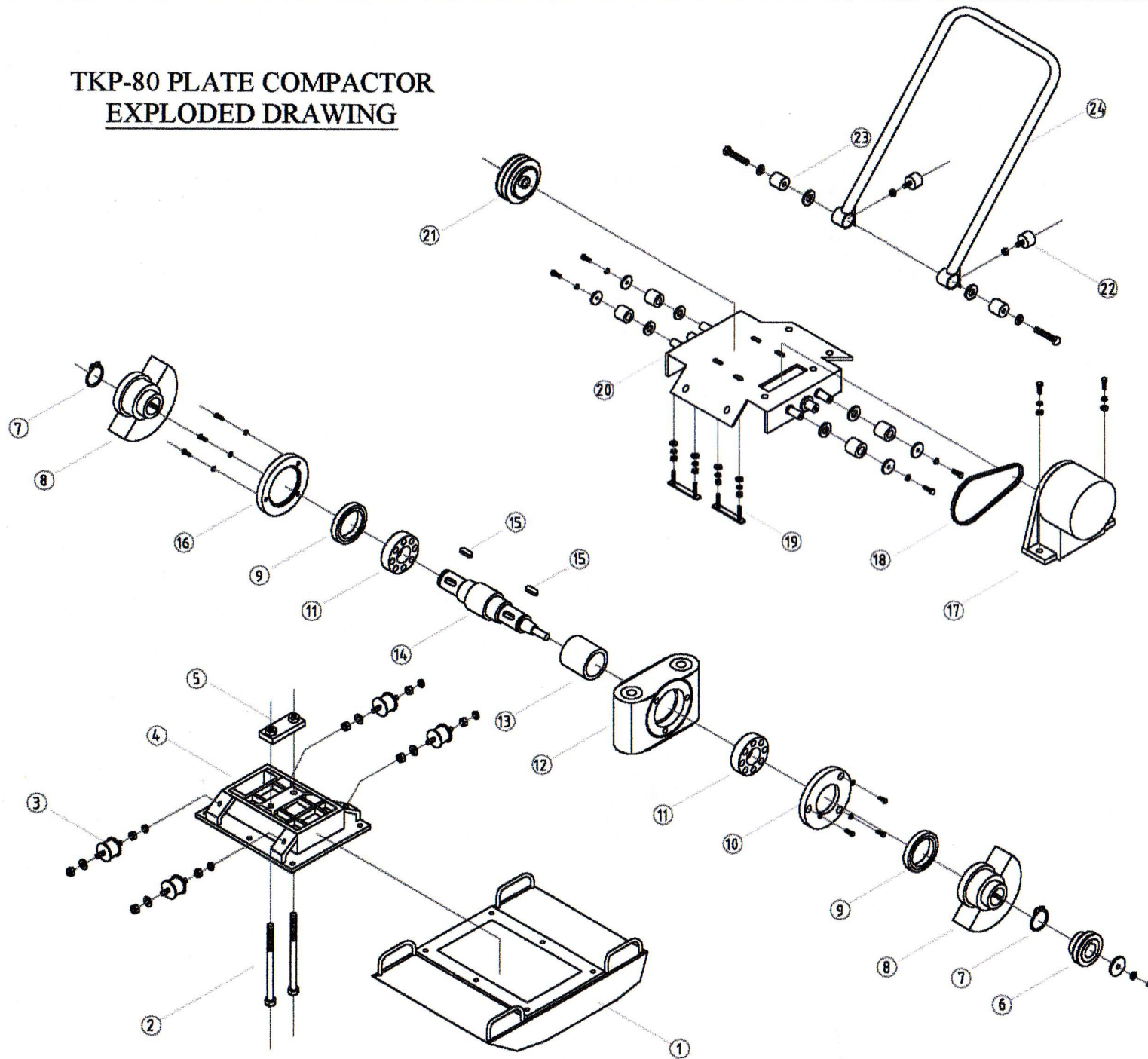


TKP-80 PLATE COMPACTOR EXPLODED DRAWING



REF. NO	DESCRIPTION
1	BASE
2	EXCITER BOLT
3	RUBBER MOUNTING
4	EXCITER MOUNTING PLATE
5	EXCITER CLAMP
6	EXCITER PULLEY
7	CIRCLIP (A24)
8	UNBALANCE WEIGHT
9	OIL SEAL (Ø35*Ø52*7)
10	ROTOR HOUSING COVER
11	BEARING (NJ 306E C3)
12	ROTOR HOUSING
13	BUSH
14	EXCITER SHAFT
15	KEY
16	ROTOR HOUSING COVER
17	PULLEY COVER
18	V-BELT (A-30)
19	ENGINE CLAMP
20	ENGINE MOUNTING PLATE
21	CLUTCH PULLEY
22	HADLE STOPPER
23	HANDLE BUSH
24	HANDLE