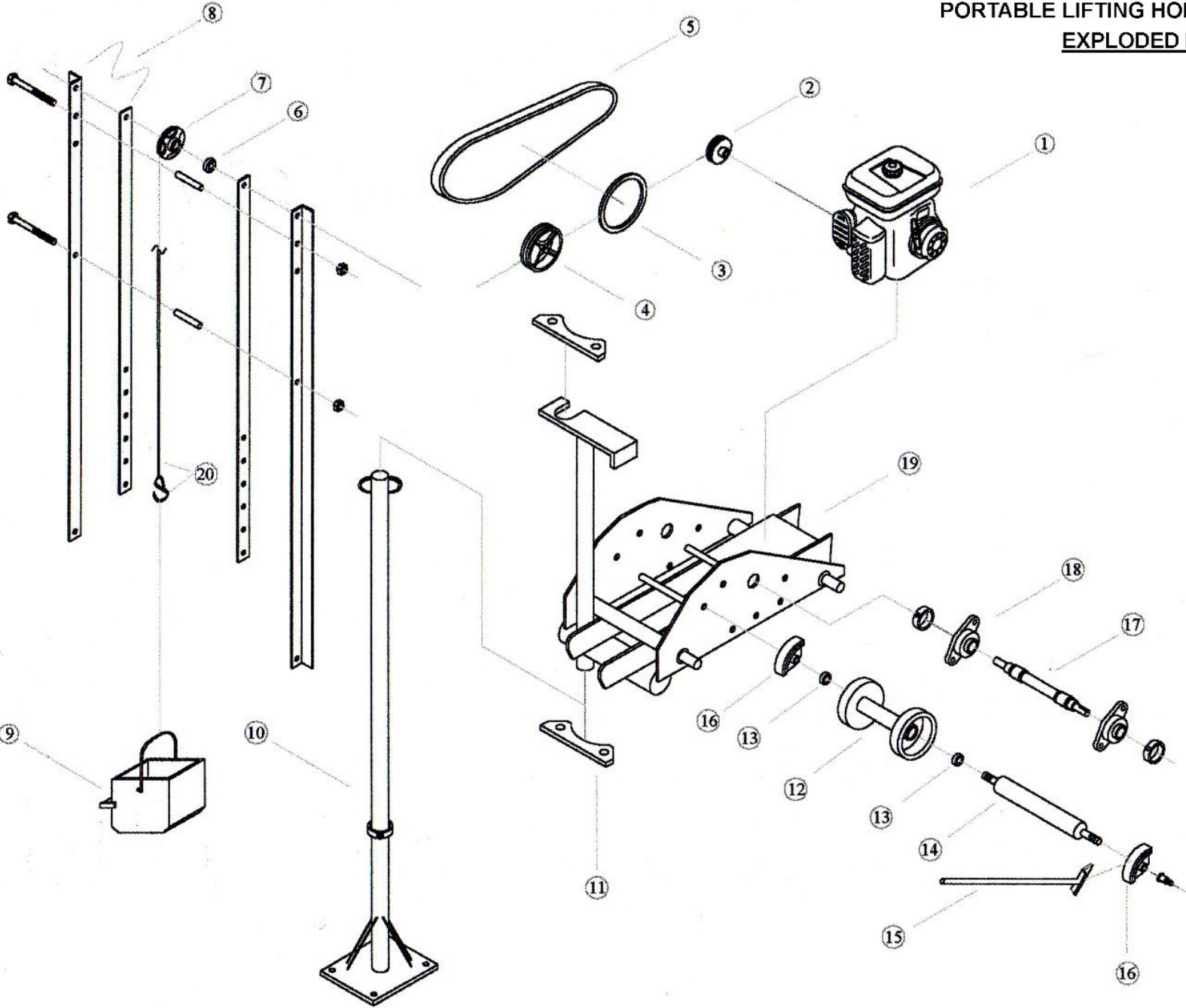


PORTABLE LIFTING HOIST (TKPLH-300)
EXPLODED DRAWING



REF.No.	DESCRIPTION
1	ENGINE
2	ENG.PULLEY
3	V - BELT (A 40)
4	PULLEY
5	BELT COVER
6	BEARING
7	CABLE CONTROL PULLEY
8	CABLE HANDLE SUPPORT
9	CARRIER
10	STAND
11	M.S PLATE
12	DRUM
13	BEARING
14	ECCENTRIC SHAFT
15	CONTROL HANDLE
16	BRAKE SHOE
17	ROPE SHAFT
18	BEARING
19	BODY
20	ROPE & HOOK