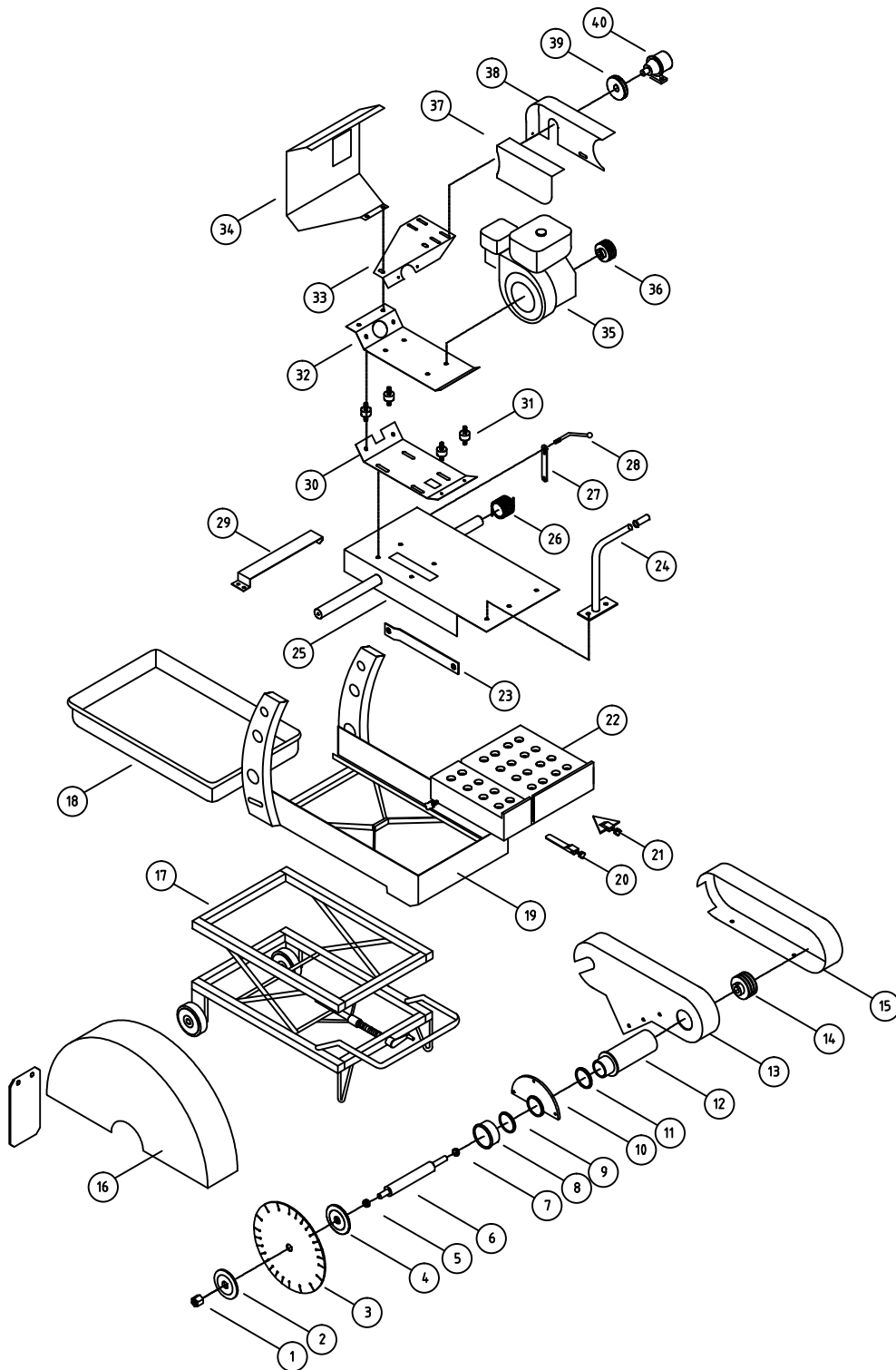


MANSONRY SAW (TBS-350E)  
EXPLODED DRAWING



40	WATER PUMP
39	PUMP PULLEY
38	OUTER BELT COVER
37	INNER BELT COVER
36	ENGINE PULLEY
35	ENGINE
34	STOPPER
33	PUMP BRACKET
32	ENGINE MOUNTING
31	RUBBER MOUNTING
30	MOUNTING PLATE
29	BRACKET
28	HANDLE
27	BAR
26	SPRING
25	MOUNTING
24	HANDLE
23	CONNECTOR
22	TABLE
21	DUAL 45° FLAT ANGLE GUIDE
20	PARALLEL GUIDE
19	FRAME
18	TRAY
17	ADJUSTBLE TABLE
16	BLADE COVER
15	OUTER BELT COVER
14	BLADE PULLEY
13	INNER BELT COVER
12	BEARING HOUSING
11	COLLAR
10	COVER BRACKET
9	COLLAR
8	BUSH
7	BEARING
6	BLADE SHAFT
5	BEARING
4	BLADE SUPPORT FLANGE B
3	BLADE
2	BLADE SUPPORT FLANGE A
1	BLADE NUT
REF	DESCRIPTION