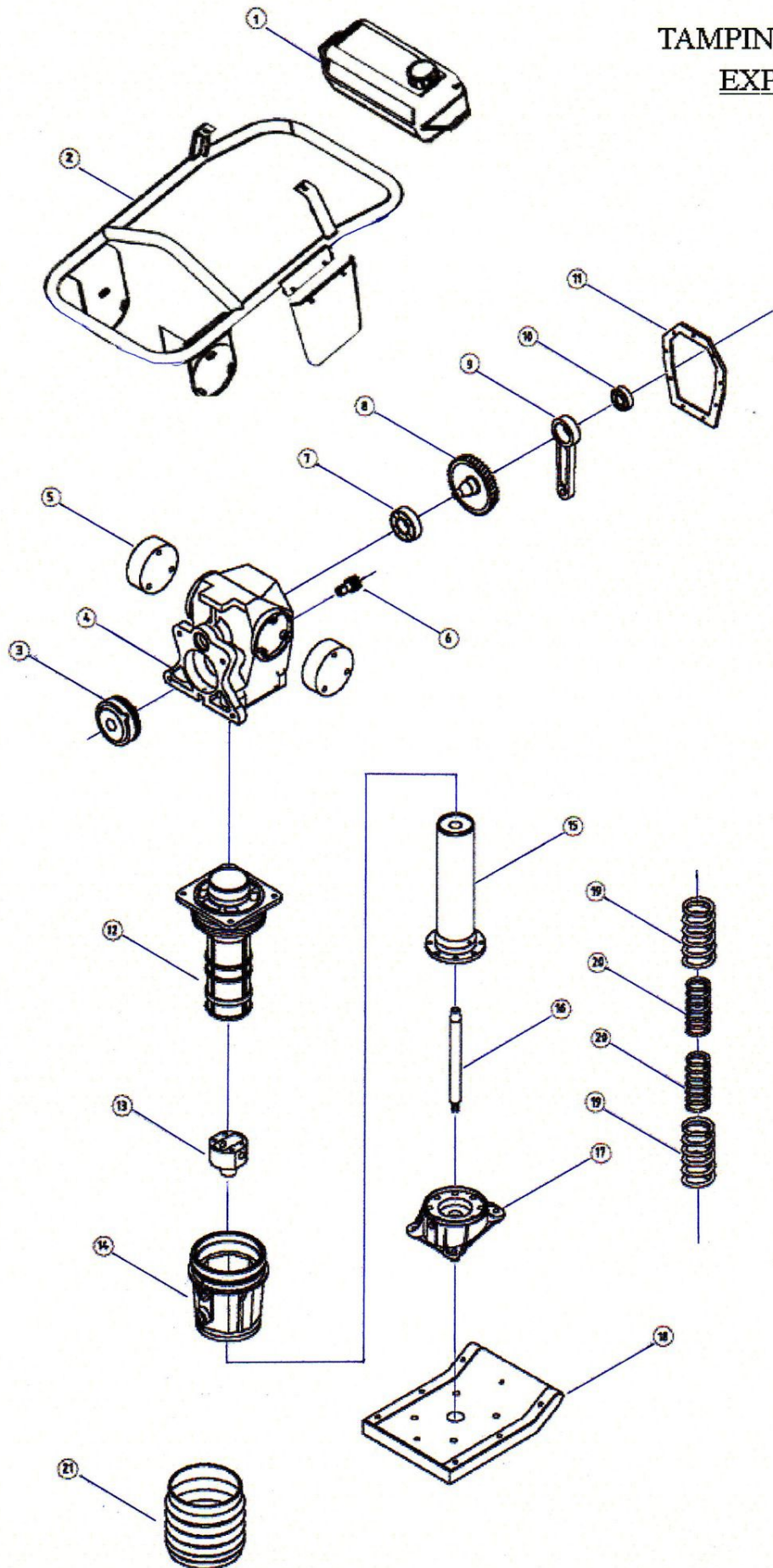


TAMPING RAMMER (TK-72B)  
EXPLODED DRAWING



| REF.NO | DESCRIPTION       |
|--------|-------------------|
| 1      | TANK              |
| 2      | HANDLE            |
| 3      | CLUTCH PULLEY     |
| 4      | AL.HEAD           |
| 5      | HANDLE MTG.RUBBER |
| 6      | PINION GEAR       |
| 7      | BEARING           |
| 8      | DRIVE GEAR        |
| 9      | CONNECTING ROD    |
| 10     | BEARING           |
| 11     | HEAD COVER        |
| 12     | CAST IRON BODY    |
| 13     | CONC. ROD HOLDER  |
| 14     | AL.BODY           |
| 15     | SPRING HOUSING    |
| 16     | SPRING SHAFT      |
| 17     | FOOT SUPPORT      |
| 18     | FOOT PLATE        |
| 19     | OUTER SPRING      |
| 20     | INNER SPRING      |
| 21     | BELLOW            |