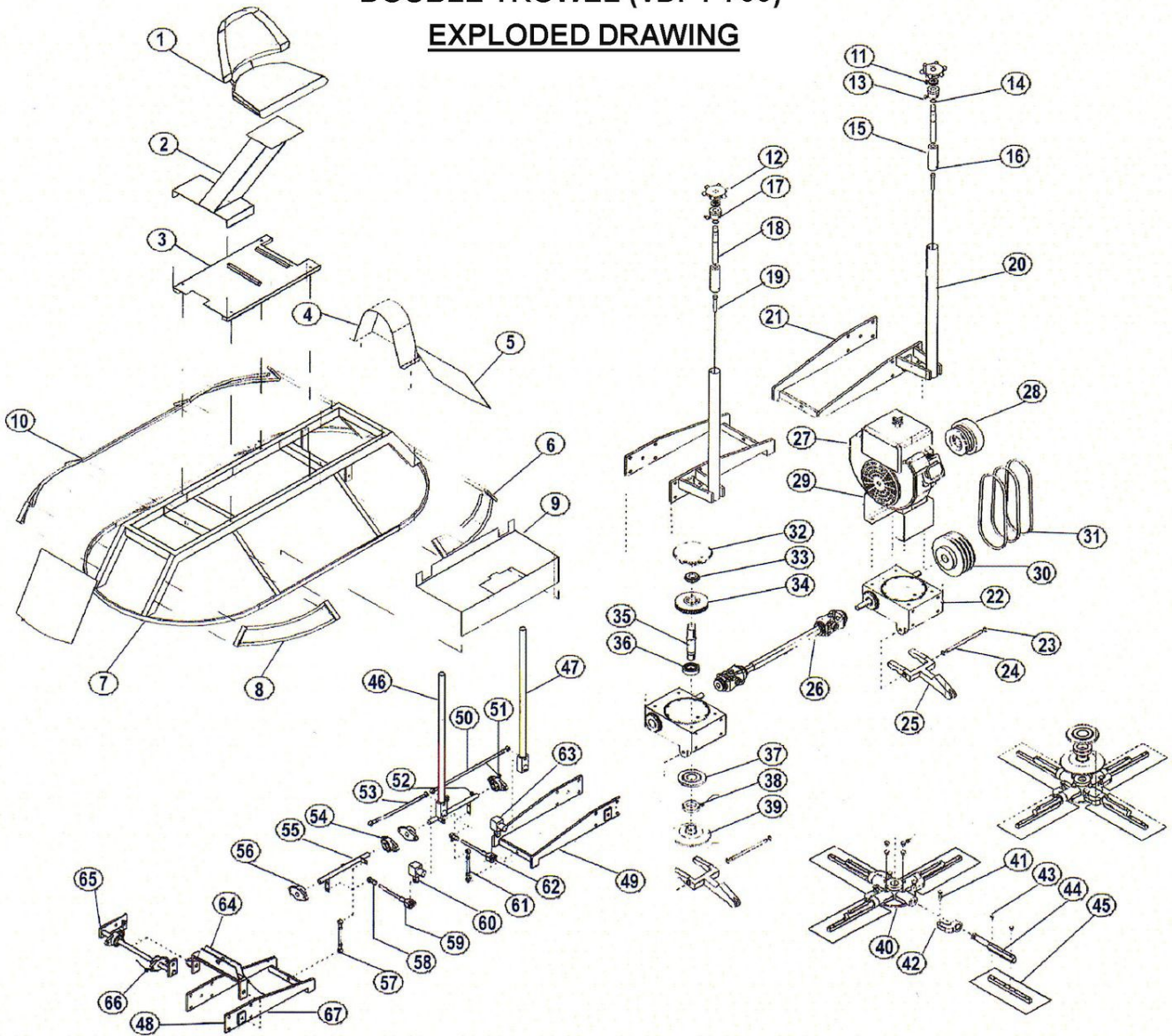


DOUBLE TROWEL (VDPT-700) EXPLODED DRAWING



Ref. No	Description
1	Seat
2	Fixing Plate Seat
3	Upper Plate of Main Chassis
4	Belt Cover
7	Main Chassis
10	Revers Cover
13	Busing Pin
16	Threaded Bush
19	Control Cable
22	Gearbox
25	Yoke Arm
28	Clutch
31	V-Belt
34	Worm Gear
37	Gearbox Casting
40	Spider Plate
43	Hexagonal Bolt
46	Steering Handle & Block Right
49	Gearbox Chassis Right
52	Steering Block
55	Steering Block
58	Bar Head
61	M12 Shaft
64	Gearbox Attach Coint 1
67	Gearbox Attach Coint 2

Ref. No	Description
5	Side Screen Plate
8	Left Cover
11	Thrust Bearing
14	Circlip
17	Bearing Bush
20	Adjusting Pipe Plate
23	Circlip
26	Cardan Shaft
29	Engine Fixing Plate
32	Cover
35	Main Shaft
38	Pressure Cap
41	Cup Square Bolt
44	Trowel Arm
47	Steering Handle & Block Left
50	M12 Shaft
53	M12 Shaft
56	Bearing Housing
59	M12 Yoke
62	M12 Yoke
65	Gearbox Mecanism Left

Ref. No	Description
6	Right Cover
9	Front Screen Plate
12	Steering Knob
15	Threaded Shaft
18	Screw Shaft
21	Gearbox Chassis
24	Yoke Arm Shaft
27	Engine
30	Pulley
33	Bearing
36	Bearing
39	Thrust Bearing
42	Lift Lever
45	Trowel
48	Gearbox Chassis Left
51	Bearing Housing
54	Bearing Housing
57	M12 Shaft
60	Block
63	Control Mechanism
66	Bearing Housing