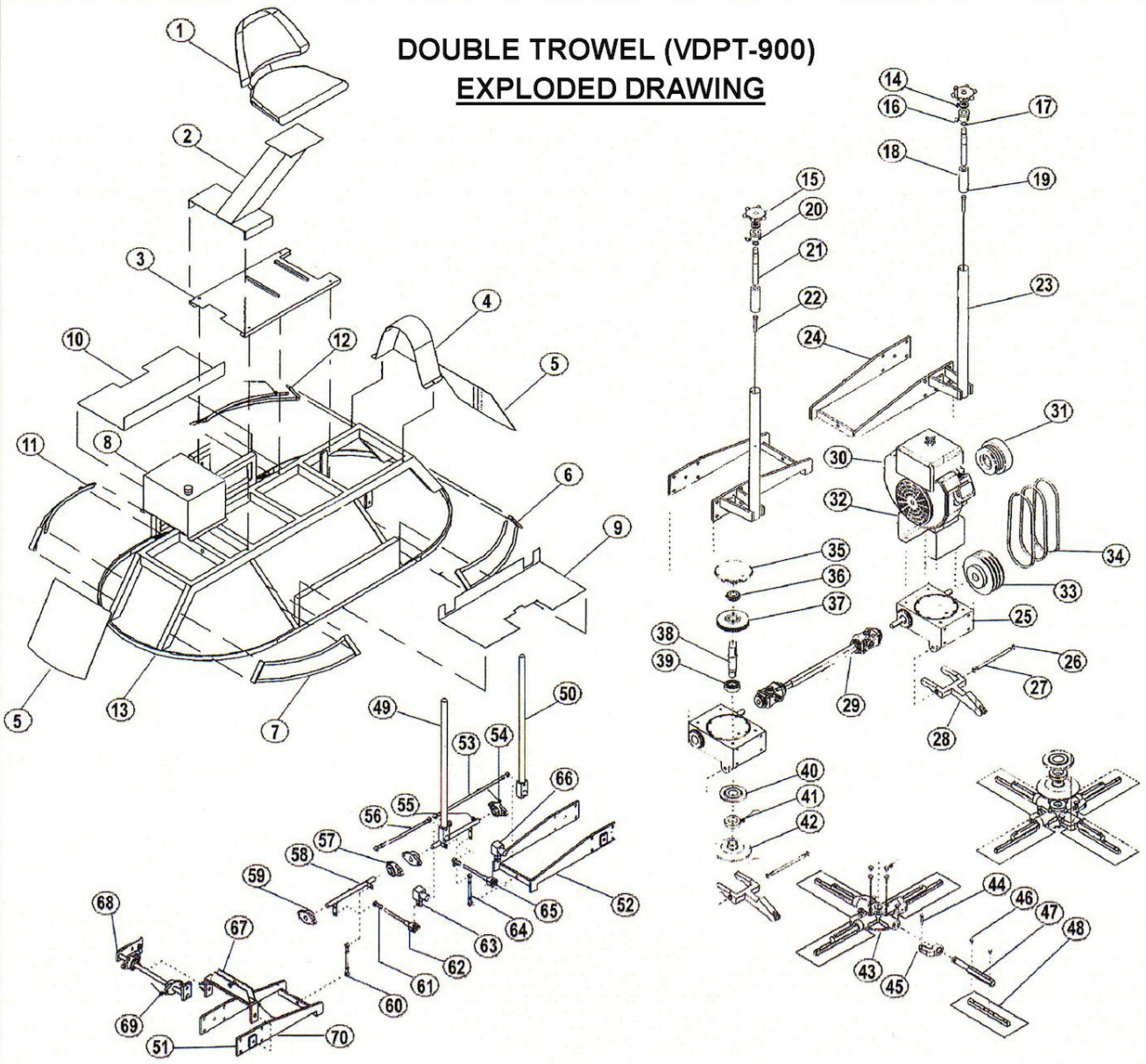


DOUBLE TROWEL (VDPT-900) EXPLODED DRAWING



Ref. No	Description
1	Seat
2	Fixing Plate Seat
3	Upper Plate of Main Chassis
4	Belt Cover
5	Side Screen Plate
6	Left Cover Front
7	Right Cover Front
8	Fuel Tank
9	Front Screen Plate
10	Back Screen Plate
11	Right Cover back
12	Left Cover Back
13	Main Chassis
14	Thrust Bearing
15	Steering Knop
16	Busing Pin
17	Circlip
18	Threaded Shaft
19	Control Cable
20	Bearing Bush
21	Screw Shaft
22	Gearbox Chassis
23	Adjusting Pipe Plate
24	Gearbox Chassis
25	Gearbox
26	Circlip
27	Yoke Arm Shaft
28	Yoke Arm
29	Cardan Shaft
30	Engine
31	Clutch
32	Engine Fixing Plate
33	Pulley
34	V-Belt
35	Cover
36	Bearing
37	Worm Gear
38	Main Shaft
39	Bearing
40	Gearbox Casting
41	Pressure Cap
42	Thrust Bearing
43	Spider Plate
44	Cup Square Bolt
45	Lift Lever
46	Hexagonal Bolt
47	Trowel Arm
48	Trowel
49	Steering Handle & Block Right
50	Steering Handle & Block Left
51	Gearbox Chassis Left
52	Gearbox Chassis Right
53	M12 Shaft
54	Bearing Housing
55	Steering Block
56	M12 Shaft
57	Bearing Housing
58	Steering Block
59	Bearing Housing
60	M12 Shaft
61	Bar Head
62	M12 Yoke
63	Block
64	M12 Shaft
65	M12 Yoke
66	Control Mechanism
67	Gearbox Attach Coint 1
68	Gearbox Mecanism Left
69	Bearing Housing
70	Gearbox Attach Coint 2

Ref. No	Description
14	Thrust Bearing
15	Steering Knop
16	Busing Pin
17	Circlip
18	Threaded Shaft
19	Control Cable
20	Bearing Bush
21	Screw Shaft
22	Gearbox Chassis
23	Adjusting Pipe Plate
24	Gearbox Chassis
25	Gearbox
26	Circlip
27	Yoke Arm Shaft
28	Yoke Arm
29	Cardan Shaft
30	Engine
31	Clutch
32	Engine Fixing Plate
33	Pulley
34	V-Belt
35	Cover
36	Bearing
37	Worm Gear
38	Main Shaft
39	Bearing
40	Gearbox Casting
41	Pressure Cap
42	Thrust Bearing
43	Spider Plate
44	Cup Square Bolt
45	Lift Lever
46	Hexagonal Bolt
47	Trowel Arm
48	Trowel
49	Steering Handle & Block Right
50	Steering Handle & Block Left
51	Gearbox Chassis Left
52	Gearbox Chassis Right
53	M12 Shaft
54	Bearing Housing
55	Steering Block
56	M12 Shaft
57	Bearing Housing
58	Steering Block
59	Bearing Housing
60	M12 Shaft
61	Bar Head
62	M12 Yoke
63	Block
64	M12 Shaft
65	M12 Yoke
66	Control Mechanism
67	Gearbox Attach Coint 1
68	Gearbox Mecanism Left
69	Bearing Housing
70	Gearbox Attach Coint 2

Ref. No	Description
14	Thrust Bearing
15	Steering Knop
16	Busing Pin
17	Circlip
18	Threaded Shaft
19	Control Cable
20	Bearing Bush
21	Screw Shaft
22	Gearbox Chassis
23	Adjusting Pipe Plate
24	Gearbox Chassis
25	Gearbox
26	Circlip
27	Yoke Arm Shaft
28	Yoke Arm
29	Cardan Shaft
30	Engine
31	Clutch
32	Engine Fixing Plate
33	Pulley
34	V-Belt
35	Cover
36	Bearing
37	Worm Gear
38	Main Shaft
39	Bearing
40	Gearbox Casting
41	Pressure Cap
42	Thrust Bearing
43	Spider Plate
44	Cup Square Bolt
45	Lift Lever
46	Hexagonal Bolt
47	Trowel Arm
48	Trowel
49	Steering Handle & Block Right
50	Steering Handle & Block Left
51	Gearbox Chassis Left
52	Gearbox Chassis Right
53	M12 Shaft
54	Bearing Housing
55	Steering Block
56	M12 Shaft
57	Bearing Housing
58	Steering Block
59	Bearing Housing
60	M12 Shaft
61	Bar Head
62	M12 Yoke
63	Block
64	M12 Shaft
65	M12 Yoke
66	Control Mechanism
67	Gearbox Attach Coint 1
68	Gearbox Mecanism Left
69	Bearing Housing
70	Gearbox Attach Coint 2