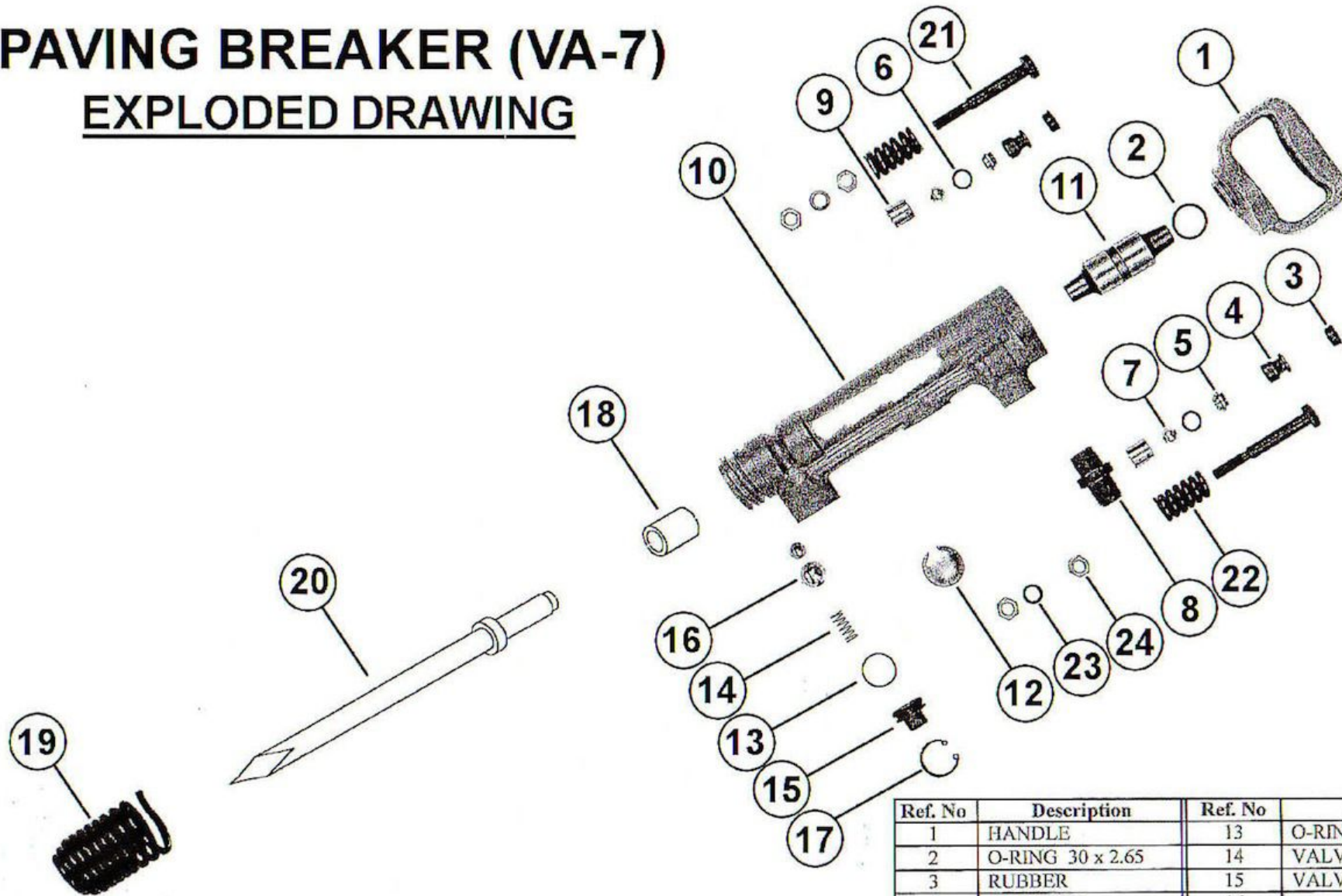


PAVING BREAKER (VA-7)

EXPLODED DRAWING



Ref. No	Description	Ref. No	Description
1	HANDLE	13	O-RING 28.5 x 1.8
2	O-RING 30 x 2.65	14	VALVE SPRING
3	RUBBER	15	VALVE COVER
4	AIR BUSH	16	STEEL BALL ø23.8
5	VALVE COVER	17	CIRCLIP
6	O-RING 15 x 2.65	18	SHANK BUSH
7	STEEL BALL ø15mm	19	CHISEL LOCK SPRING
8	COUPLING NUT	20	CHISEL
9	VALVE BUSHING	21	BOLT
10	BODY	22	BOLT SPRING
11	PISTON	23	SPRING GUIDE
12	EXHAUST CAP	24	NUT