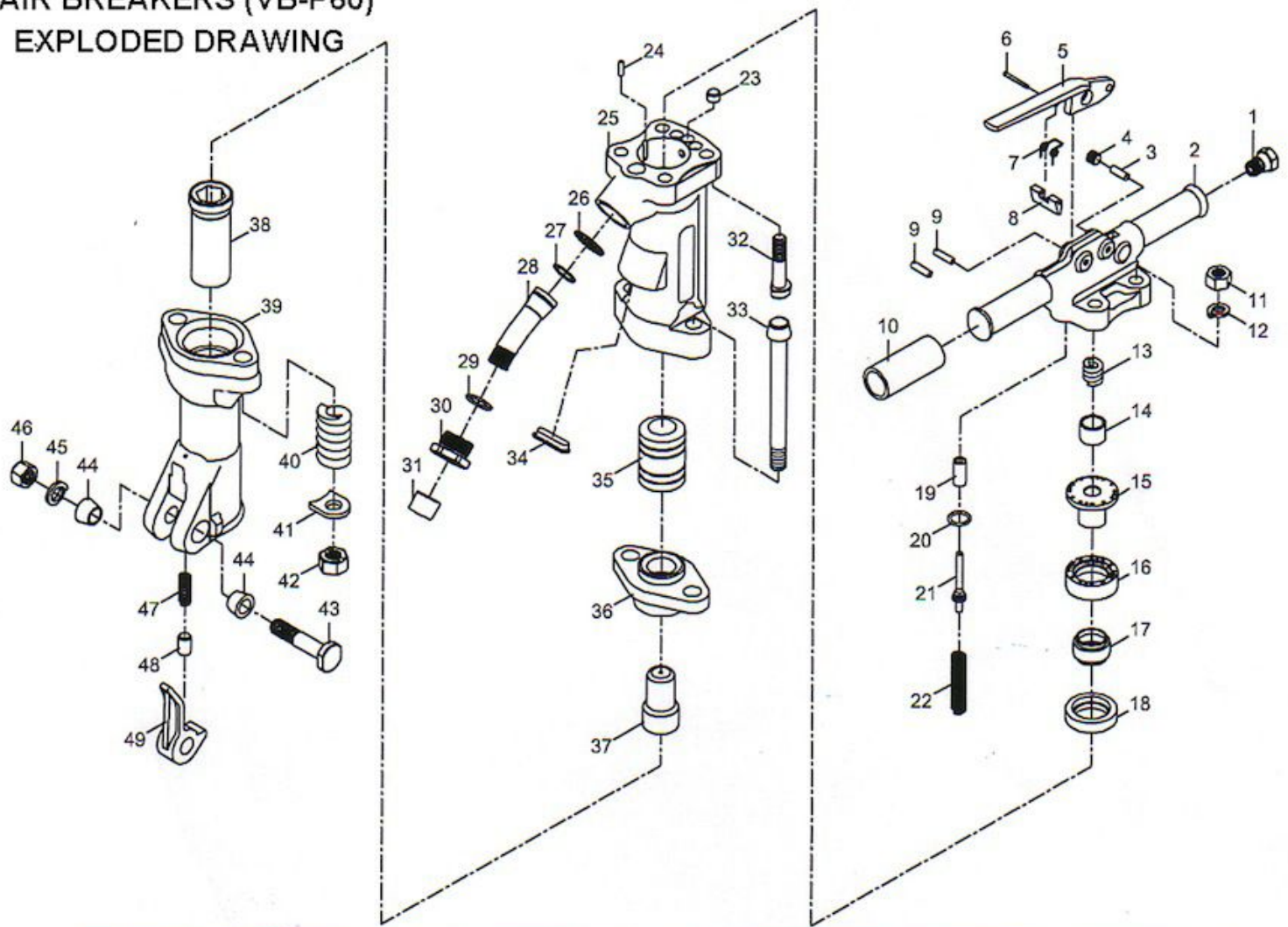


AIR BREAKERS (VB-P60) EXPLODED DRAWING



| Index No. | Parts No. | Description | Index No. | Parts No. | Description |
|-----------|-----------|-----------------------------------|-----------|-----------|--------------------------------------|
| 1 | P61119 | Oil Plug | 26 | P91238 | Air Inlet Screen |
| 2 | P61111 | Back Head | 27 | P91222 | Air Inlet Swivel O-Ring (Ø28.5*Ø2) |
| 3 | P91245 | Felt Oiler (Ø8.5*25L) | 28 | P91235 | Air Inlet Swivel |
| 4 | P91220 | Oil Control Plug (PT1/8") | 29 | P91237 | O-Ring (Ø29.4*Ø3.1) |
| 5 | P91217 | Throttle Lever | 30 | P91236 | Air Inlet Swivel Nut |
| 6 | P91250 | Spring Pin (Ø4*40L) | 31 | P91246 | Rubber Grip |
| 7 | P91252 | Stop Lever Spring | 32 | P61123 | Back Head Bolt (4) |
| 8 | P91251 | Stop Lever | 33 | P61139 | Front Head Bolt (2) |
| 9 | P91218 | Throttle Lever Pin (2) (Ø8*30L) | 34 | P91244 | Rubber Plug |
| 10 | P91213 | Rubber Grip (2) | 35 | P61103 | Piston Hammer |
| 11 | P91225 | Back Head Bolt Nut (4) | 36 | P61126 | Tappet Seat |
| 12 | P91224 | Lock Washer (4) (5/8") | 37 | P61127 | Tappet |
| 13 | P91210 | Plunger Spring | 38 | P91243 | Front Head Bushing |
| 14 | P91209 | Plunger | 39 | P61121 | Front Head |
| 15 | P61107 | Valve Guide | 40 | P91242 | Front Head Bolt Spring (2) |
| 16 | P61105 | Valve Chest | 41 | P91241 | Front Head Bolt Lock Washer (2) |
| 17 | P91204 | Automatic Valve | 42 | P91240 | Front Head Bolt Nut (2) |
| 18 | P61106 | Valve Seat | 43 | P91229 | Steel Retainer Bolt |
| 19 | P91215 | Throttle Valve Stem Guide | 44 | P91232 | Steel Retainer Bolt Bushing (2) |
| 20 | P91212 | O-Ring (Ø21.7*Ø3.5) | 45 | P91231 | Lock Washer (3/4") |
| 21 | P91214 | Throttle Valve | 46 | P91230 | Steel Retainer Bolt Nut (3/4*-16UNF) |
| 22 | P91216 | Throttle Valve Spring | 47 | P91234 | Steel Retainer Spring |
| 23 | P91202 | Cylinder Plug (3) | 48 | P91233 | Steel Retainer Plunger |
| 24 | P91208 | Valve Chest Dowel Pin (Ø1/4**20L) | 49 | P91228 | Steel Retainer |
| 25 | P61101 | Cylinder | 50 | | |

P612-0001